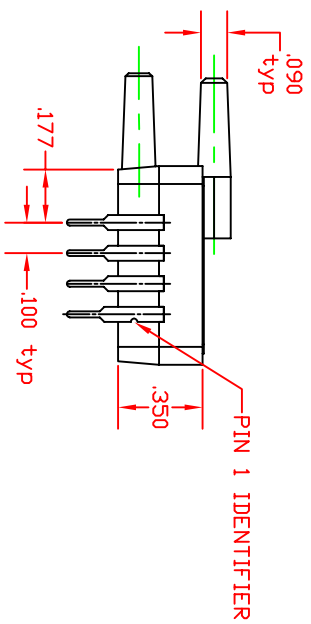
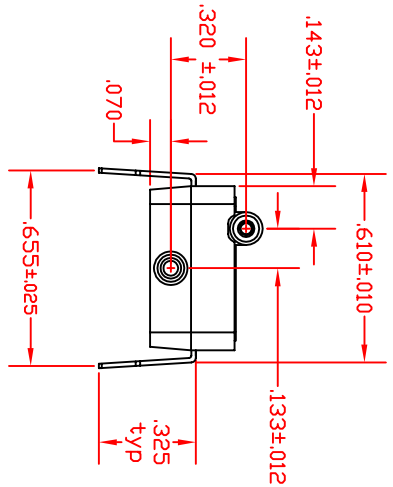
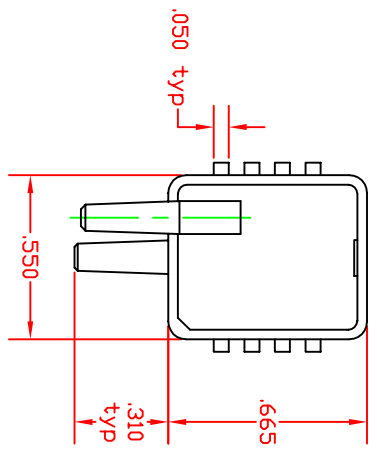


PROPRIETARY DATA
 This document may not be reproduced, disclosed, or otherwise used in whole or in part, without the written permission of **SENSATA ICT**

REVISIONS				
LTR	DESCRIPTION	ECN#	DATE	APP'V
A	INITIAL RELEASE	9795	08/16/01	B.D
B	CORRECTED DIMENSION	10506	07/30/02	B.D
C	ADDED TOLERANCES	11020	03/17/03	B.D



NOTES: UNLESS OTHERWISE SPECIFIED
 1. Δ INDICATES CRITICAL DIMENSIONS FOR INCOMING INSPECTION BY Q.A. PER ANSI Z1.4-1993, SINGLE SAMPLING, NORMAL INSPECTION, 0.65% AQL, LEVEL 1

THIRD ANGLE PROJECTION	UNLESS OTHERWISE SPECIFIED DIMENSIONS ARE IN INCHES	APPROVALS	DATE	Honeywell	
FINISH: UNLESS OTHERWISE SPECIFIED	DESCRIPTORS: XX=±.01, .XXX=±.005	BRUCE H.	2/28/03	SensSys ICT 1804 MCKAY BLVD. MILPITAS, CA 95035	
MATERIAL: N/A	ANGULAR ±1°	BRANDI D.	2/28/03	TITLE: OUTLINE DRAWING ASDXXXXD4	
USED ON: ASDXXXXD4	DO NOT SCALE DRAWING	SCALE: B	SIZE: 5:1	DRAWING NUMBER: S560239	REV: C

4 3 2 1